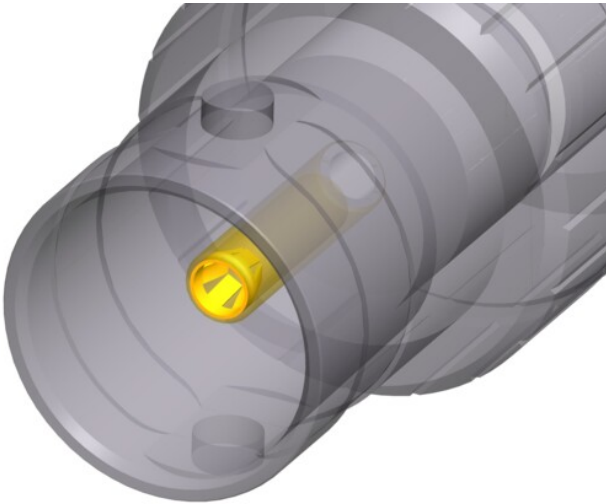




## NBB75DFGB

Grounded BNC chassis connector, feedthrough in black D-shape housing

Neutrik's BNC chassis connectors offer a true 75  $\Omega$  design for serial and digital (HD) signals. The machined brass connector body provides an extremely rugged and non-abrasive connection over long term use and is in addition recessed and therefore well protected in a D-shape housing (audio industry standard).



### Features & Benefits

- Gold plated cage type center contact
- True 75  $\Omega$  design meets the stringent HD requirements
- Grounded panel mount
- Standard D-shape housing - provides flush mounting and protection from damage
- Color coding possible

## **New cage type contact**

- Closed contact design - extremely robust
- Gold plated cage type clip - best possible shielding and lowest contact resistance

## Technical Information

| Product         |                 |
|-----------------|-----------------|
| Title           | NBB75DFGB       |
| Connection Type | BNC 75 $\Omega$ |
| Gender          | female          |

| Electrical            |   |
|-----------------------|---|
| Signal Type           | HD, SDI, Video, AES/EBU, Composit, YUV, RGB, RGBH, RGBHV  |
| Contact resistance    | $\leq 3 \text{ m}\Omega$ (inner)  |
| Contact resistance    | $\leq 2 \text{ m}\Omega$ (outer)  |
| Dielectric strength   | 1,5 kVdc  |
| Impedance             | 75 $\Omega$   |
| Insulation resistance | $> 5 \text{ G}\Omega$   |
| Rated voltage         | $< 50 \text{ V}$  |
| VSWR                  | $\leq 1.03 / > 37 \text{ dB}$ up to 1 GHz<br>$\leq 1.05 / > 32 \text{ dB}$ up to 2 GHz<br>$\leq 1.08 / > 28 \text{ dB}$ up to 3 GHz |

| Mechanical         |                        |
|--------------------|------------------------|
| Insertion force    | $< 25 \text{ N}$       |
| Lifetime           | $> 1000$ mating cycles |
| Wiresize           |                        |
| Locking device     | Bayonett               |
| Mounting direction | Front mounting         |
| Chassis shape      | D                      |

| Material        |  |
|-----------------|--|
| Contacts        | Brass (CuZn39Pb3), 0.2 µm AuCo (Center contact)  |
| Insert          | PTFE   |
| Shell           | Polyacetal (POM) (Insulation Sheell)             |
| Shell plating   | Optalloy®  |
| D-Shape housing | Zinc diecast (ZnAl4Cu1) gal black chrome plating |

| Environmental     |                  |
|-------------------|------------------|
| Temperature range | -30 °C to +85 °C |